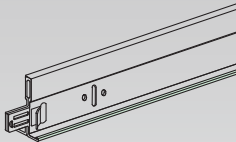
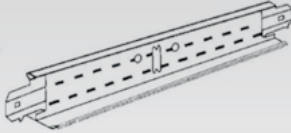
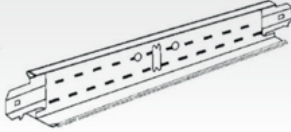
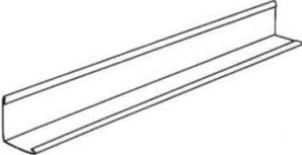
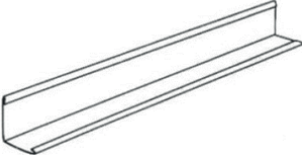


CEILING SUSPENSION GRID

METRIC - IMPERIAL

T-24 (15/16") SEISMIC



Item	Thickness (mm)	Image	Pcs/Box	Code
Main Runner (3660 x 24 x 38 mm / 12 ft)	0.35		25	SEISMR32
Long Cross Tee (1220 x 24 x 28 mm / 4 ft)	0.35		50	SEISSCT
Short Cross Tee (610 x 24 x 28 mm / 2 ft)	0.35		75	SEISLCT
Wall Trim (3050 x 24 x 24 mm)	0.40		50	SEISWTA
Wall Trim (3050 x 24 x 24 mm)	0.50		50	SEISWTB

Main features

1. Heavy Duty
2. Loadbearing Capacity 20kg/m²
3. ideal for metal tiles and wooden tiles.
4. Quick and easy alignment and leveling during installation and/or maintenance.
5. High resistance to rust and corrosion.