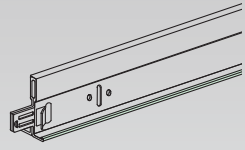
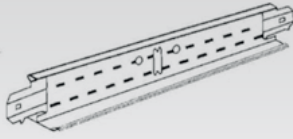
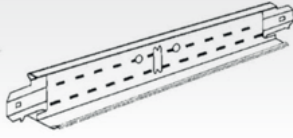
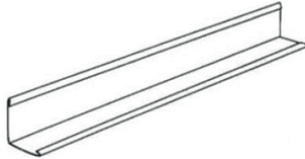
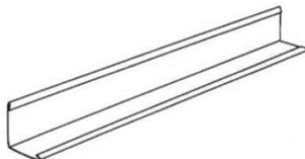


# CEILING SUSPENSION GRID

METRIC - IMPERIAL

## T-24 (15/16") INFINITY



Item	Thickness (mm)	Image	Pcs/Box	Code
Main Runner (3660 x 24 x 32 mm / 12 ft)	0.30		25	INFMR32
Long Cross Tee (1220 x 24 x 25 mm / 4 ft)	0.25		50	INF SCT
Short Cross Tee (610 x 24 x 25 mm / 2 ft)	0.25		75	INF LCT
Wall Trim (3050 x 20 x 20 mm)	0.30		50	INF WTA
Wall Trim (3050 x 22 x 22 mm)	0.40		50	INF WTB

### Main features

1. Loadbearing capacity for lightweight ceilings
2. Ideal for concealed and semi-concealed demountable ceilings.
3. Quick and easy alignment and leveling during installation and/or maintenance.
4. High resistance to rust and corrosion.