

IC 2
NIC 0
AWA 1
RDS 8

INNOVATIVE
ARCHITECTURE

best of best

Creative ceilings for creative minds

OWAconsult collection

OWA



Creative ceilings for creative minds

OWAconsult collection

BY HADI TEHERANI

“More creativity and freedom of thought when designing a ceiling”, that was the objective of our collaboration with the renowned international architect and product designer Hadi Teherani. With the fusion of intuitive design, the latest LED lighting technology and our manufacturing expertise, we have created an exciting range that transcends the visual expectations of a “normal” suspended ceiling. Combine these exciting designs with integration of services, sound absorption, fire resistance, sound attenuation and humidity resistance, the performance characteristics you would expect from OWA, and you arrive at “OWAconsult collection”. To ensure a trouble free installation you can also call on the help of our OWAconsult specialists who are there to provide assistance every step of the way through your project, from design to completion, from concept to reality.



Creative shapes and sizes

Flexo

The attractive, minimalistic appearance of Flexo is available in three module options: 600 x 600 mm, 1200 x 300 mm and 1200 x 600 mm. Installed as a single or multiple module design, Flexo can be combined with energy efficient Flexo LED lights to provide the designer with the freedom to create a ceiling and lighting solution for most interior spaces.

* The Flexo 4 tile pictured in the format 1200 x 1200 mm is not available.

Flexo



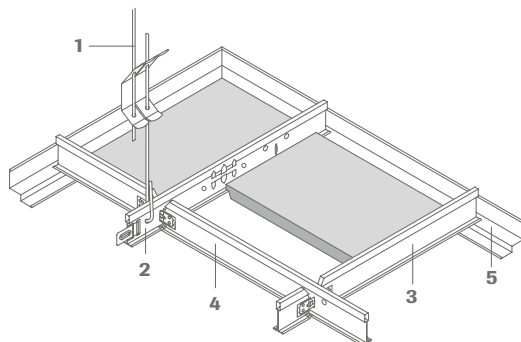
Flexo 1



Flexo 2



Flexo 3



Flexo – mineral tiles

All edges

15

	Length	Width	Thickness	Part no.	Units/pack	α_w /NRC	Price	Del. Cat.
Flexo 1	600 mm	600 mm	15 mm	00068084	10	0.85	32.10 €/m²	X
Flexo 2	1200 mm	300 mm	15 mm	00068085	10	0.85	32.50 €/m²	X
Flexo 3	1200 mm	600 mm	15 mm	00073869	10	0.85	32.10 €/m²	X

Flexo 1+3 is also available in edge 15b (without extra costs). Thereto, please use the system S 15b OWAline (limited combination possibilities).

Flexo LED – integrated lighting

	Length	Width	Height	Rating	Performance	Ballast unit	Part no.	Units/pack	Price	Del. Cat.
Flexo LED 1 A	600 mm	600 mm	103 mm	IP 20	54 W	LED drivers	00070653	1	on request	X

Flexo LED 1 A: Colour 4000 K, neutral white, includes bulbs, with visible frame, suitable only for system S 15b OWAline, dimmable DALI.

See brochure 9630 e Integrated lighting.



S 15a cliq – suspension system

	Product no.	Product/component description	Units/pack	Price
1	12/30/2	Adjustable hanger with double tension springs diameter: 4 mm, maximum load: 0.25 KN max. range of extension: 270 mm, a wire overhang of at least 15 mm must be provided	100 pieces	0.48 €/pce
2	cliq-15-MR	Main tee height: 38 mm, width: 15 mm, length: 3000 mm, visible side: white	20 pieces	3.29 €/m
3	cliq-15-CT	Cross tee short, joggled height: 38 mm, width: 15 mm length: 300 mm, visible side: white length: 600 mm, visible side: white	60 pieces 60 pieces	1.86 €/pce 3.29 €/m
4	cliq-15-CT	Cross tee long, joggled height: 38 mm, width: 15 mm length: 1200 mm, visible side: white	60 pieces	3.29 €/m
5	50/15G	Shadow wall angle height: 33 mm, visible width: 15 mm, total width: 30 mm length: 3050 mm, visible side: white	35 pieces	3.93 €/m
	42/15	Contura-block, height: 8 mm, width: 15 mm, total width: 24 mm, white	100 pieces	0.34 €/pce